



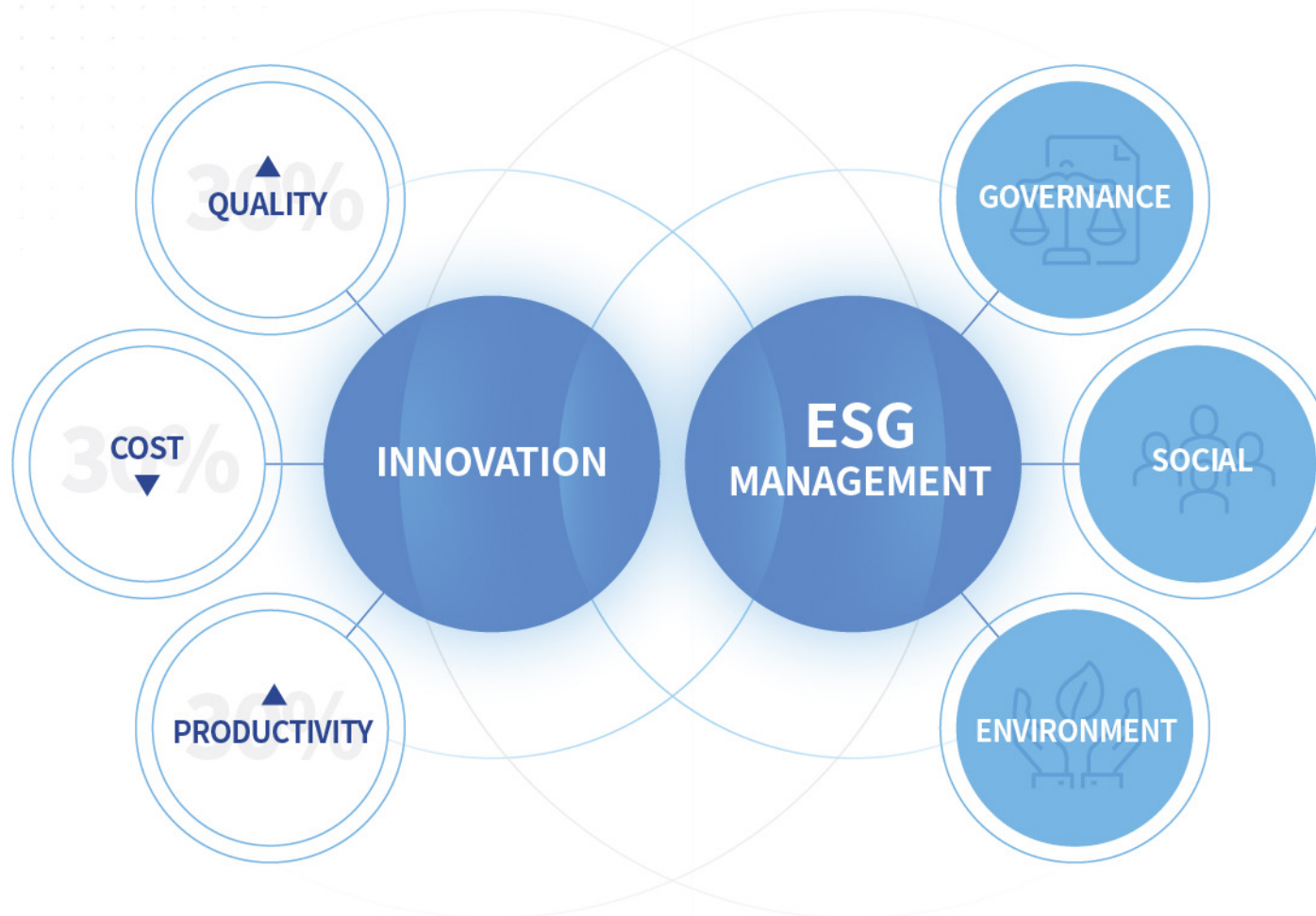
# HIGH PRECISION MANUFACTURING WOOKANG

A strong and committed  
high precision manufacturing company  
with the best technology since 1996.



## MANAGEMENT POLICY

Wookang High Precision is a company that manufactures and assembles intermediate shafts and caliper brakes. We specialize in producing safety and security core components, and are also actively developing FCEV-related products. More than 90% of our products are supplied to leading overseas global automobile manufacturers through 1st tier vendors. Wookang High Precision is a company that leads the developing future mobility industry by adhering to eco-friendly and sustainable management.





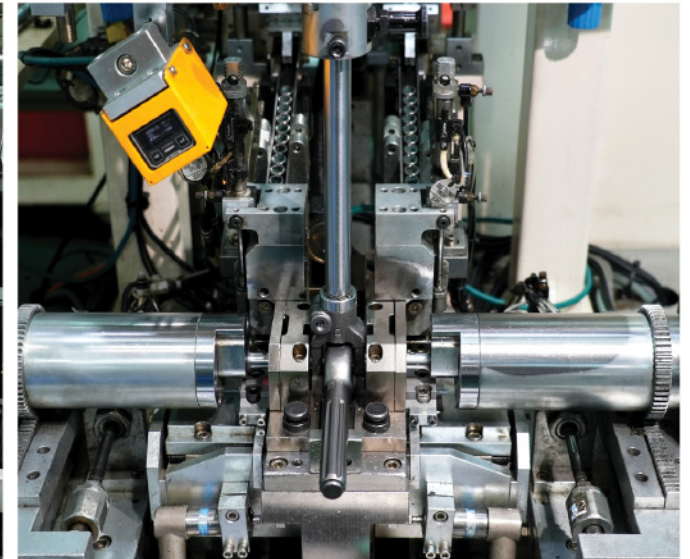
# I PRODUCTIVE CAPACITY



ROBOT Automation Lines



Machining/Broaching Lines



Assembly Lines

# PRODUCTIVE CAPACITY



## CERTIFICATE

WTF Certificate Number: 049060    Certificate Number: TS-052001

### WOOKANG HIGH PRECISION CO., LTD.

• HEAD OFFICE AND FACTORY : 84-25, Dalseong2chaseo-ro, Guji-myeon, Dalseong-gun, Daegu, Korea (Zip code : 711855)

Korean Foundation for Quality certifies that the above organization has complied with the following standard requirements.

**IATF 16949:2016**

Scope of certification  
• HEAD OFFICE AND FACTORY : MACHINING OF BRAKE PARTS, MACHINING AND ASSEMBLY OF DRIVE PARTS

[HEAD OFFICE AND FACTORY - PERMITTED EXAMINATION :  
• 3 DESIGN AND DEVELOPMENT OF PRODUCTS]

Registration Date: 2022-10-13    Expiration Date: 2025-10-12  
Revision Date: 2022-10-13

  
 Ji Young Song  
 President & CEO of WFO



한국품질재단    www.kfq.or.kr  
131, Yoolim-Lion's Valley Bldg, 168, Geam-digital 1-ro, Geomcheon-gu, Seoul, 08501, Korea

Page 1 of 1

## 특허증 CERTIFICATE OF PATENT



특허 Patent Number	제 10-2026917 호
출원번호 Application Number	제 10-2017-0164000 호
출원일 Filing Date	2017년 12월 01일
등록일 Registration Date	2019년 09월 24일

발명의 명칭 Title of the Invention  
유니버설 초인력 조립장치

특허권자 Patentee  
우강정밀 주식회사(170111-\*\*\*\*\*)  
대구광역시 달성군 구지면 달성2차서로 84-25


발명자 Inventor  
김종환(600117-\*\*\*\*\*)  
대구광역시 달서구 조양로6길 20, 103동 904호 (달성푸르지오아파트)

위의 발명은 「특허법」에 따라 특허등록원부에 등록되었음을 증명합니다.  
This is to certify that, in accordance with the Patent Act, a patent for the invention has been registered at the Korean Intellectual Property Office.

  
**특허청**  
 Korean Intellectual Property Office

2019년 10월 16일  
**특허청장**  
 COMMISSIONER,  
 KOREAN INTELLECTUAL PROPERTY OFFICE  
  
**박원주**

  
QR코드로 발명기문 등록사항을 확인하세요



## CERTIFICATE OF SUPPLIER QUALITY

등록번호 : +WK158

# SQ 등록증

회 사 명 : 무관정밀

인증업종 : 가공

대표자명 : 김홍준

인증등급 : G

사업자번호 : 5148128056

사업장코드 : #46Z601

업체코드 : #46Z6

회사주소 : 대구시 달성군 구지면 달성2차서로 84-25


**협력사 품질평가 규정에 의거  
상기와 같이 SQ(협력사 품질보증)  
요구사항에 적합하여 거래 협력사로  
등록되었음을 증명합니다.**

인증일자 : 2023년 06월 14일

유효일자 : 2024년 06월 30일 까지

◆ 주 권 : 현대모비스(주) 경원공장

◆ 후 권 : 현대자동차 기아



SUPPLIER QUALITY SUPPLIER QUALITY SUPPLIER QUALITY SUPPLIER QUALITY SUPPLIER QUALITY



# STEERING SYSTEM

## YOKE



## Assist Arm Mount



- A key rear wheel steering(RWS) component connects the assist arm and lead bar, transmitting motor power.
- Uses hot forging material with enhanced heat treatment hardness for rigidity in extreme conditions.
- High-quality products using advanced fixtures and process design technology.

HYUNDAI

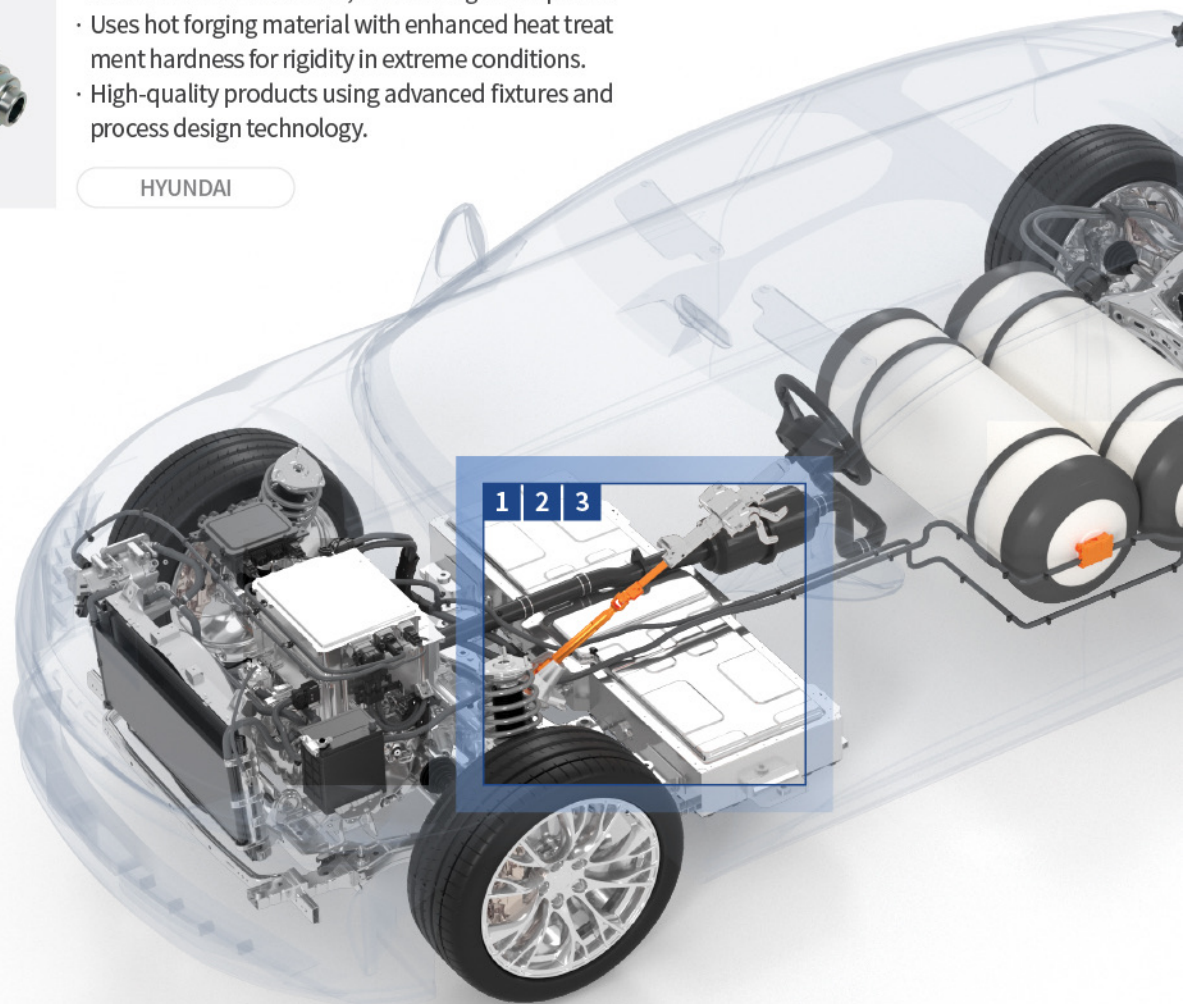
## Intermediate Shaft



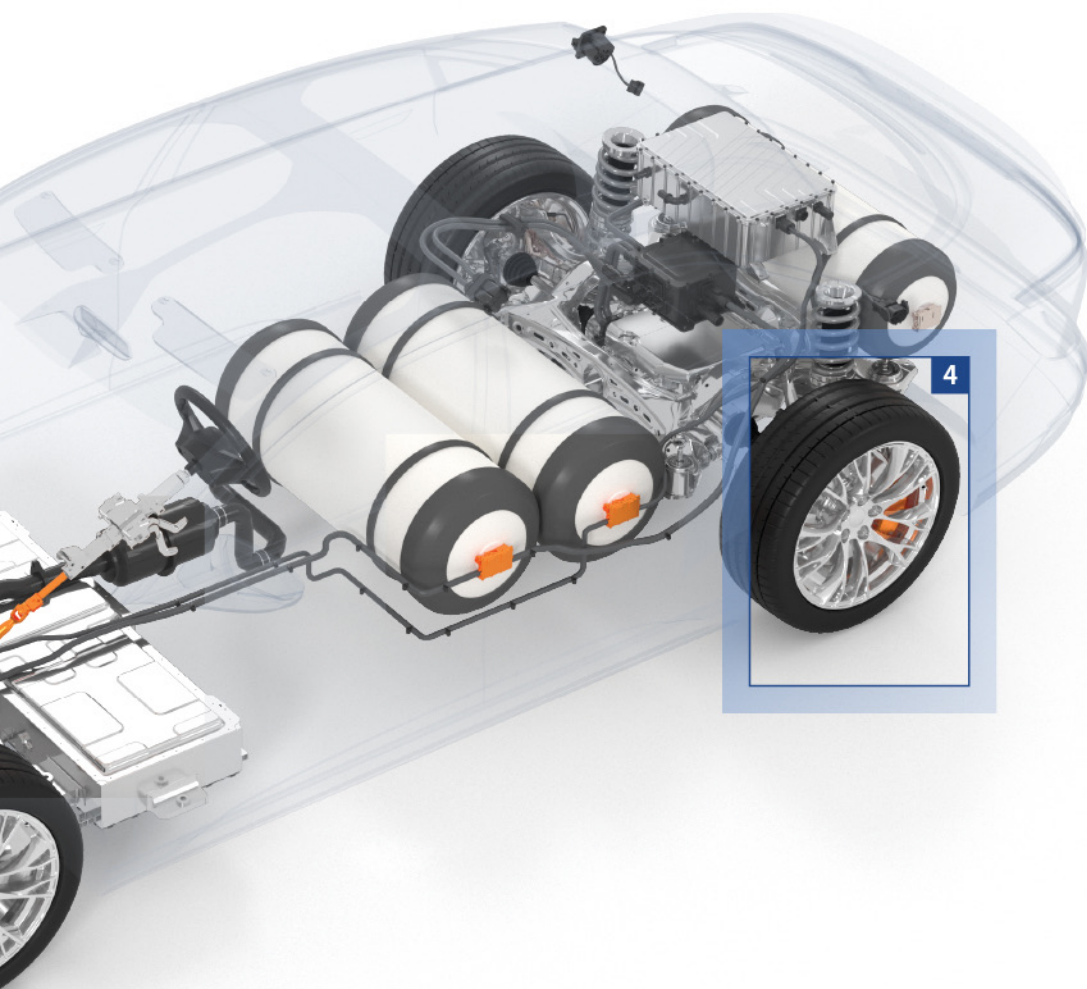
- A key steering device that transmits the steering wheel's rotational force to the wheels, changing the vehicle's direction.
- A shock absorption function for driver protection during collisions and a vibration-proof and soundproofing structure.
- Development of ball-sliding type I-shafts enhances noise reduction and steering consistency.
- Development of all-aluminum I-shafts improves fuel economy, durability, and corrosion resistance.

CHEVROLET

HYUNDAI



## BRAKE SYSTEM



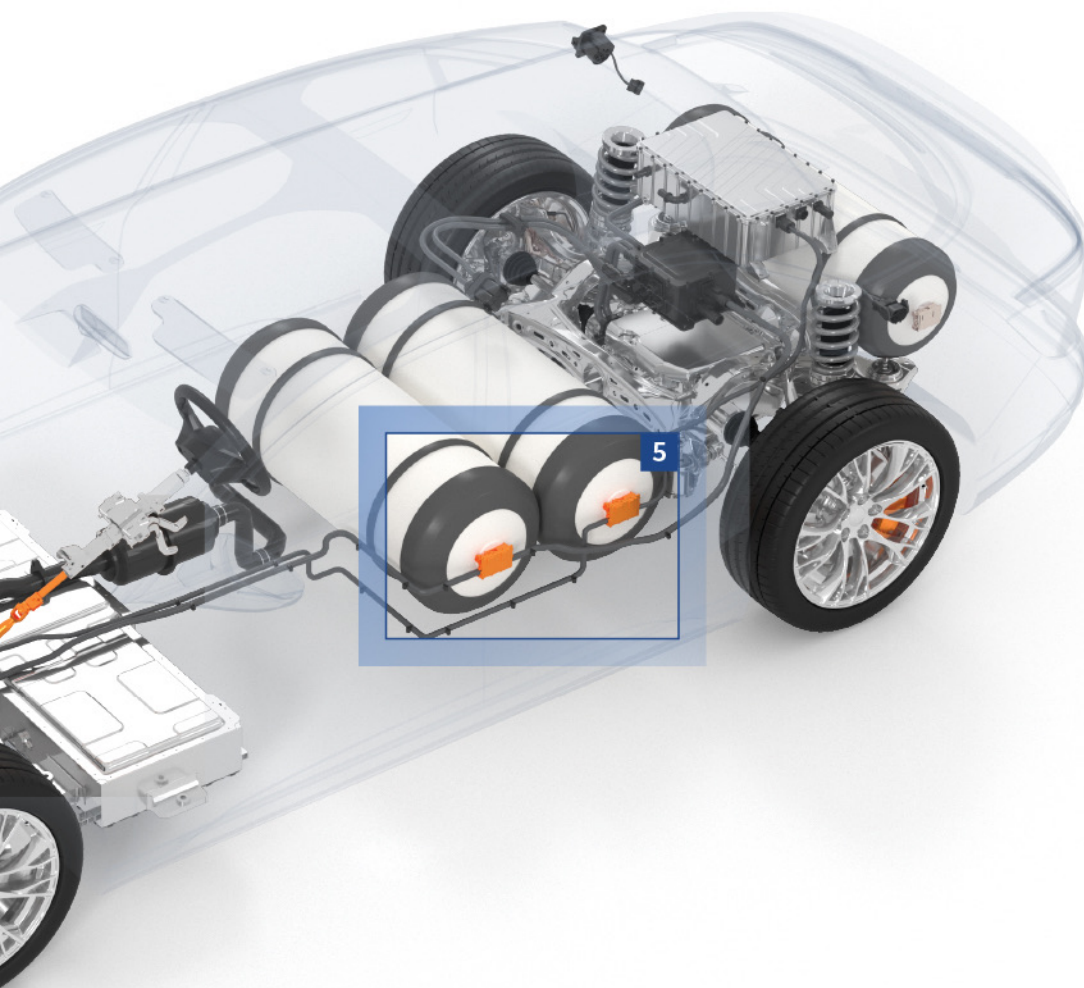
### Caliper Brake Housing



- Various cylinder specifications (2P~6P) reduce braking distance.
- Reinforced aluminum is used to ensure lightness, rigidity, fuel efficiency, durability, and corrosion resistance.
- Twin caliper brake processing method enhances single caliper brake power.
- Enhanced main bore machining precision improves braking power.
- Enhanced seal groove machining precision prevents leakage and ensures brake oil tightness.

NAMI

POLARIS



## Hydrogen fuel tank Valve

5



- A key component depressurizes ultra-high pressure hydrogen(700→9.5 bar), ensuring stable flow to the fuel cell stack.
- Detects temperature and pressure in the hydrogen fuel tank and operates safely in abnormal situations.
- Uses STS316L for its airtightness and durability, with unrivaled processing technology for this difficult-to-cut material.

BMW





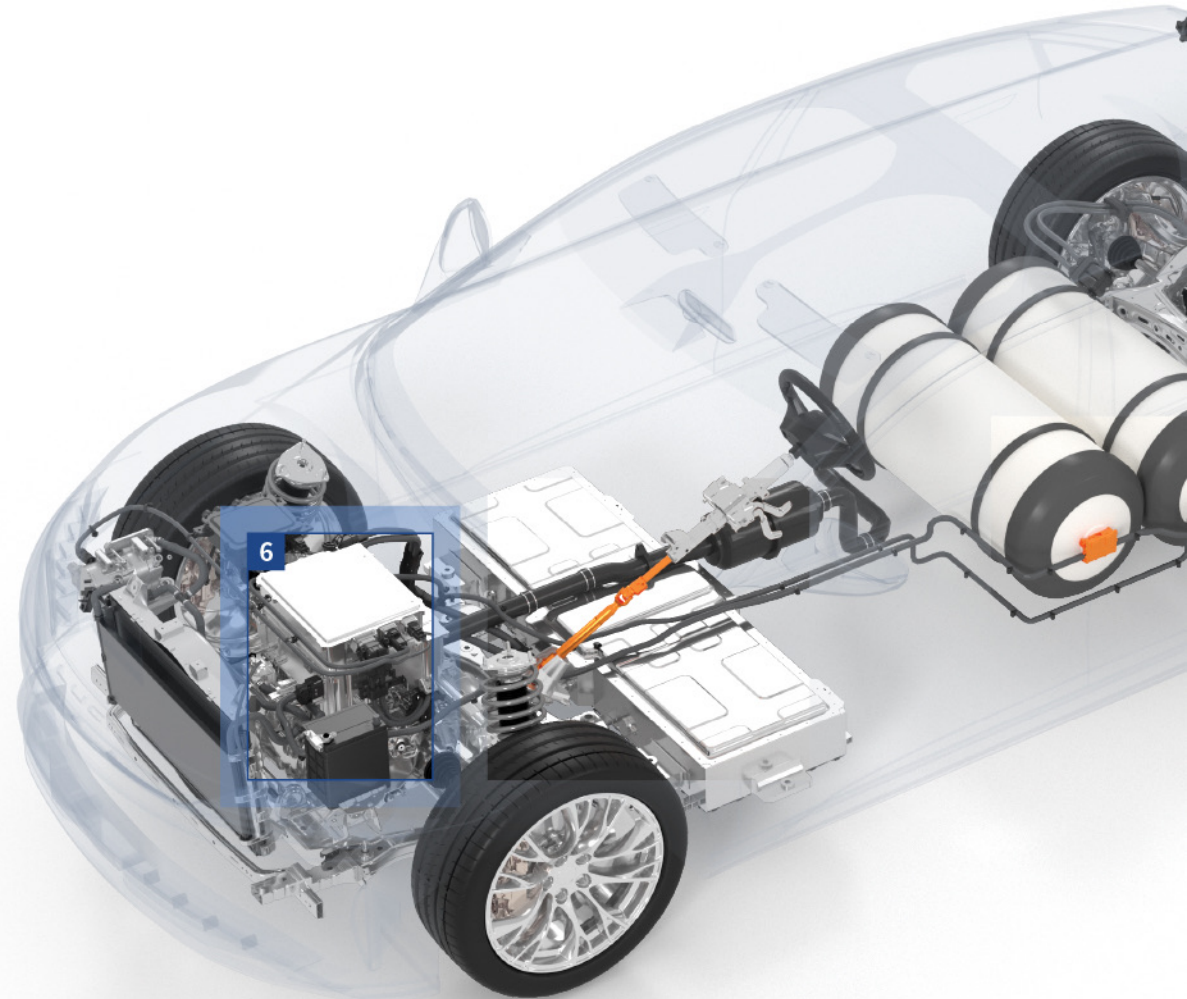
## Air compressor rotor shaft

6



- A device that supplies air to generate electricity by reacting with hydrogen in a fuel cell stack.
- Airflow varies with the rotor module's speed, making it crucial for hydrogen fuel cell vehicle performance.
- Reduce the weight and size of the rotor shaft compared to existing ones and secure world-class performance.


HYUNDAI







## + CONTACT

 84-25 Dalseong 2chaseo-ro, Guji-myeon, Daegu, Republic of Korea 43011

 +82.53.615.3080       [www.wookang1996.com](http://www.wookang1996.com)